

**Supporto per
quadro comando**
**Control unit
Support**
**Support pour
unité de commande**



AC01-200 V



- I** - Supporto a C e Piastra Base in lamiera zincata verniciata a polvere
- Montante in alluminio anodizzato
- Completo di piastra fondazione

- GB** - Galvanized sheet powder coated C-shaped support and base plate
- Anodized aluminum frame
- With Fixing plate

- F** - C support et plaque de base en tôle galvanisée enduite de poudre
- Canne en aluminium anodisé
- Avec Plaque de fondation

AC01-200 VA

- I** - Supporto a C e Piastra Base in lamiera zincata verniciata a polvere
- Montante in alluminio anodizzato

- GB** - Galvanized sheet powder coated C-shaped support and base plate
- Anodized aluminum frame

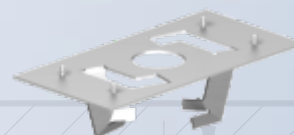
- F** - C- Support en Plaque de base en tôle galvanisée enduite de poudre
- Canne en aluminium anodisé

AC01-PST

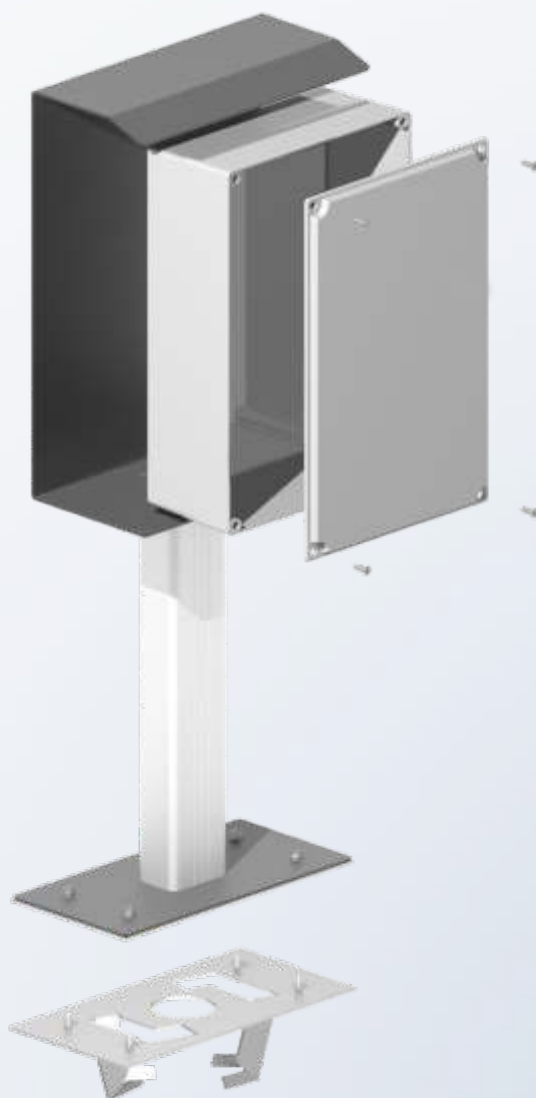
- I** Piastra fondazione in lamiera zincata 300x150x3 mm

- GB** Galvanized fixing plate 300x150x3 mm

- F** Plaque de fondation galvanisée 300x150x3 mm



Materiale	Materials	Matériaux	Lamiera zincata Galvanized sheet metal Feuille galvanisé
Peso	Weight	Poids	6600 g
Dimensioni	Dimensions	Dimensions	300x400xh800mm
Max dimensioni interne	Max internal dimensions	Dimensions internes max	280x380x150mm
Confezione	Packaging	Emballage	01 pz



I Supporto zincato e verniciato a polvere adatto all'installazione del quadro elettrico di comando in prossimità del cancello.

GB Galvanized and painted with powder support suitable for installing the control panel in close proximity to the gate.

F Support galvanisé et enduit de poudre approprié pour l'installation du panneau de commande électrique près du portail.